

## **Air Preparation Units Models SH & SC**

**(Up to and including 145 psi / 10 bar operating pressure)**



### **Superior Performance Throughout the Full Operational Range**

- Compact Design
- High stability
- Up to 145 psi / 10 bar Working Pressure
- Arctic Service Options to -60°C
- Valve Body 316L Stainless Steel
- NACE MR-01-75 Internal Wetted and Body Materials (Option)
- High Flow - up to 11.2 Cv



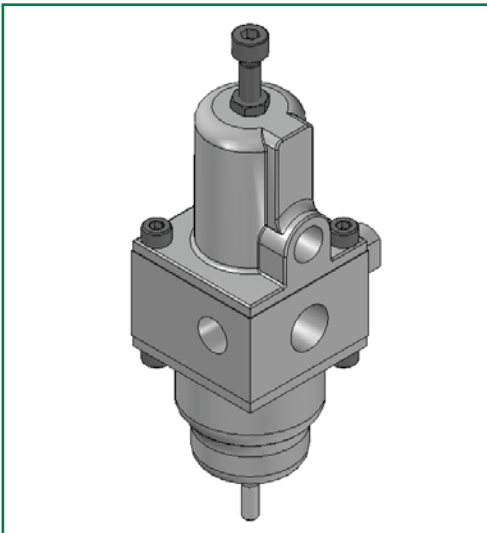
- SC & SH - Compact / Air Preparation Unit Range - Features & Benefits.....3
- SC & SH - Compact / Air Preparation Unit Range - Features & Benefits.....4
- SC & SH - Compact / Air Preparation Unit Range - Preferred Range.....5
- SH - Air Preparation Unit Range - Preferred Range.....6
- SH - Air Preparation Unit Range - Preferred Range.....7
- SC - Compact Air Preparation Unit Range Product Options - SC Overview.....8
- SH - Air Preparation Unit Range Product Options - SH Overview.....9
- SC - Compact Air Preparation Unit Range Selection Chart - SC.....10
- SH - Air Preparation Unit Range Selection Chart - SH.....11
- SC & SH - Compact / Air Preparation Unit Dimensional Drawings.....12
- SH - Air Preparation Unit Dimensional Drawings.....13
- SH - Air Preparation Unit Dimensional Drawings.....14
- SH - Air Preparation Unit Dimensional Drawings.....15
- SH - Air Preparation Unit Dimensional Drawings.....16
- Additional Options - Gauge Options.....17
- Additional Options - Mounting Options.....18
- Additional Options - Mounting Options.....19
- Additional Options - Mounting Options.....20
- Notes.....21

**Accuracy of information**  
 We take care to ensure that product information in this catalogue is reasonably accurate and up-to-date. However, our products are continually developed and updated so to ensure accurate and up-to-date information please refer to the product catalogue issue list on our web site or contact a member of our sales team.

When selecting a product, the applicable operating system design must be considered to ensure safe use. The products function, material compatibility, adequate ratings, correct installation, operation and maintenance are the responsibilities of the system designer and user.

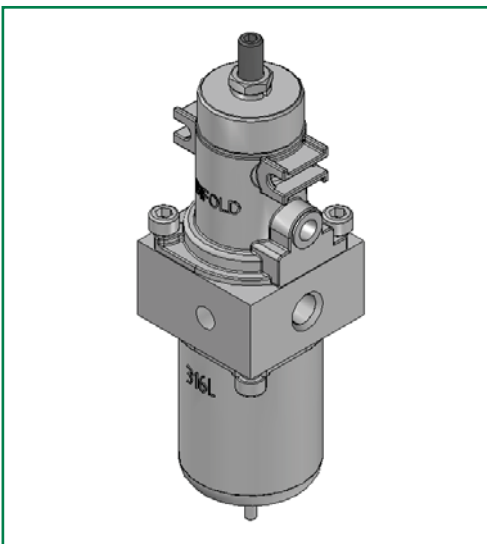
**Quality Assurance**  
 All Bifold products are manufactured to a most stringent QA programme to ensure that every product will give optimum performance and reliability. We are third party certified to BS EN ISO 9001:2008. Functional test certificate, letter of conformity and copies of original mill certificates, providing total traceability are available on request, to BS EN 10204 3.1 where available. We reserve the right to make changes to the specifications and design etc., without prior notice.

Features & Benefits



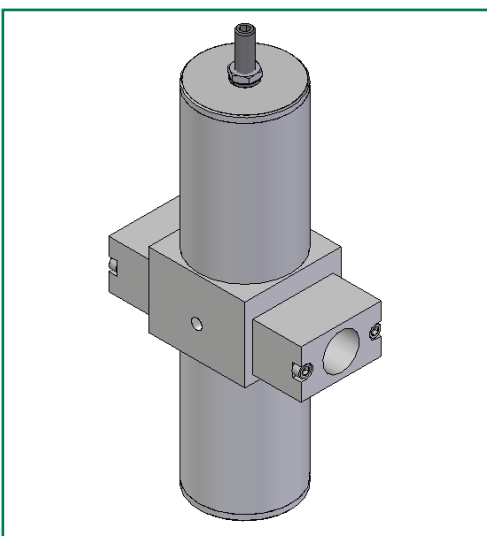
**Standard Valve  
Equipment Design & Build**

- Manufactured from 316L grade stainless steel as standard. The valves are suited for offshore and other corrosive atmospheres. Materials can be supplied compliant to NACE MR-01-75 rendering the valves suitable for sour gas media. Low temperature elastomer seals are available for low temperature arctic service applications.
- High stability precision adjustment.
- Modular design for inline maintenance.



**Compact Air Preparation Unit**

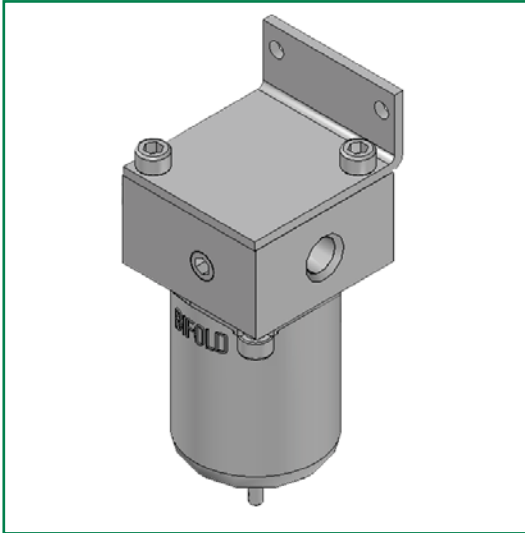
- Our compact SC unit is designed for applications that require high capacity and accurate process control in a small package. A poppet valve which is balanced by utilizing a convoluted diaphragm, insures a constant output pressure even during wide supply pressure variations. Stability of regulated pressure is maintained under varying flow conditions adjusting the air supply in accordance with the flow velocity.



**Air Preparation Unit  
High Flow**

- Our compact SH unit designed for applications that require high flow capacity and accurate process control. A poppet valve which is balanced by utilizing a rolling diaphragm, insures a constant output pressure even during wide supply pressure variations.
- Diaphragm design for good repeatability, response and sensitivity.
- Balanced poppet.
- Accurately maintained output pressure under high flow conditions.
- Precise regulation will sense a decrease in downstream pressure.
- High flow capacity attainable with minimal drop out.

Features & Benefits



**Standard Valve  
Equipment Design & Build**

**Regulator Precision**

- Pressure balanced supply valve prevents supply pressure changes from affecting the set point.
- Separate control chamber isolates the diaphragm from the main flow to eliminate hunting and buzzing.

**Filter Regulator Precision**

- Non-bleed design to reduce consumption.
- A Gauge Port provides convenient pressure gauge mounting.
- The Filter Dripwell contains a Drain Plug to easily drain trapped liquids.
- Standard Tapped Exhaust.

**Safety and Environmental Benefits**

- Bifold has state of the art product qualification and production equipment including flow (Cv), environment (-60°C to +180°C), function and leakage testing, and data Logging.
- Tolerant to moist air in control lines.
- Products are manufactured, inspected, assembled and tested in our state of the art production facilities.

State of the Art Testing

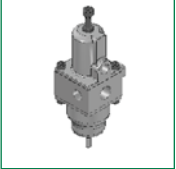
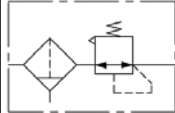
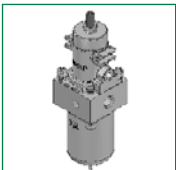
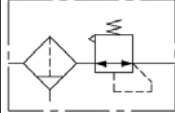
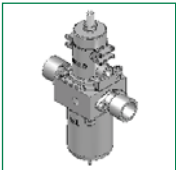
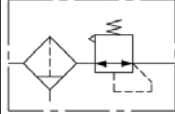
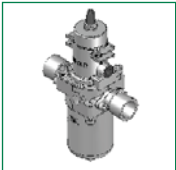
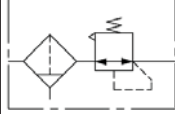
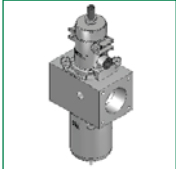
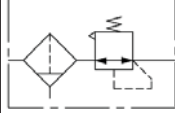

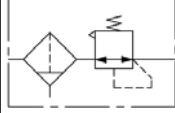


**Accuracy of information**  
We take care to ensure that product information in this catalogue is reasonably accurate and up-to-date. However, our products are continually developed and updated so to ensure accurate and up-to-date information please refer to the product catalogue issue list on our web site or contact a member of our sales team.

When selecting a product, the applicable operating system design must be considered to ensure safe use. The products function, material compatibility, adequate ratings, correct installation, operation and maintenance are the responsibilities of the system designer and user.

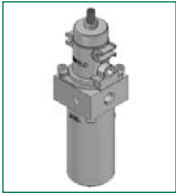
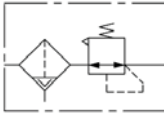
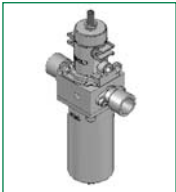
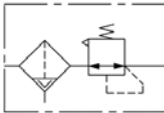

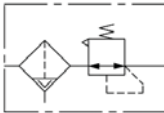
**Quality Assurance**  
All Bifold products are manufactured to a most stringent QA programme to ensure that every product will give optimum performance and reliability. We are third party certified to BS EN ISO 9001:2008. Functional test certificates, letter of conformity and copies of original mill certificates, providing total traceability are available on request, to BS EN ISO 9001:2008 where available. We reserve the right to make changes to the specifications and design etc., without prior notice.

Preferred Range

SC & SH - COMPACT / AIR PREPARATION UNIT - PREFERRED RANGE				
Product	Schematic Representation	Page Number	Product Code	Product Description
 <p><b>SC</b> Compact Air Preparation Unit Manual Drain</p>		10	<b>SC06-20-FR-SR-MD-10-V-X3</b>	<p>1/4" NPT Ports, Filter Regulator, Self Relieving, Manual Drain Unit.</p> <p>C.v. 0.7, 145 psi / 10 bar, 40 - 50 Micron Filter Element.</p>
 <p><b>SH</b> Air Preparation Unit Manual Drain</p>		11	<b>SH06-FR-SR-MD-10-X3</b>	<p>1/4" NPT Ports, Self Relieving, Manual Drain Unit.</p> <p>C.v. 1.7, 145 psi / 10 bar, 20 - 30 Micron Filter Element.</p>
 <p><b>SH</b> Air Preparation Unit Manual Drain</p>		11	<b>SH12-FR-SR-MD-10-X3</b>	<p>1/2" NPT Ports, Self Relieving, Manual Drain Unit.</p> <p>C.v. 2.6, 145 psi / 10 bar, 20 - 30 Micron Filter Element.</p>
 <p><b>SH</b> Air Preparation Unit Manual Drain</p>		11	<b>SH12-FR-SR-MD-10-X3-02</b>	<p>1/2" NPT Ports, Self Relieving, Manual Drain, High Flow Unit.</p> <p>C.v. 4.5, 145 psi / 10 bar, 20 - 30 Micron Filter Element.</p>
 <p><b>SH</b> Air Preparation Unit Manual Drain</p>		11	<b>SH25L-FR-SR-MD-10-X3-02</b>	<p>1" NPT Ports, Self Relieving, Manual Drain.</p> <p>C.v. 4.5, 145 psi / 10 bar, 20 - 30 Micron Filter Element.</p>
 <p><b>SH</b> Air Preparation Unit Manual Drain</p>		11	<b>SH25-FR-SR-MD-10-X4</b>	<p>1" NPT Ports, Self Relieving, Manual Drain, High Flow Unit.</p> <p>C.v. 11.2, 145 psi / 10 bar, 40 - 50 Micron Filter Element.</p>

Preferred Range

SH - AIR PREPARATION UNIT - PREFERRED RANGE

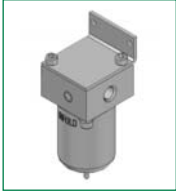
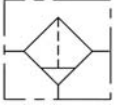

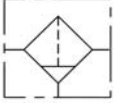
Product	Schematic Representation	Page Number	Product Code	Product Description
 <p><b>SH</b> Air Preparation Unit Auto Drain</p>		II	<b>SH06-FR-SR-AD-10-X3</b>	<p>1/4" NPT Ports, Self Relieving, Auto Drain Unit.</p> <p>C.v. 1.7, 145 psi / 10 bar, 20 - 30 Micron Filter Element.</p>
 <p><b>SH</b> Air Preparation Unit Auto Drain</p>		II	<b>SH12-FR-SR-AD-10-X3</b>	<p>1/2" NPT Ports, Self Relieving, Auto Drain Unit.</p> <p>C.v. 2.6, 145 psi / 10 bar, 20 - 30 Micron Filter Element.</p>
 <p><b>SH</b> Air Preparation Unit Auto Drain</p>		II	<b>SH12-FR-SR-AD-10-X3-02</b>	<p>1/2" NPT Ports, Self Relieving, Auto Drain, High Flow Unit.</p> <p>C.v. 4.5, 145 psi / 10 bar, 20 - 30 Micron Filter Element.</p>

**Accuracy of information**  
We take care to ensure that product information in this catalogue is reasonably accurate and up-to-date. However, our products are continually developed and updated so to ensure accurate and up-to-date information please refer to the product catalogue issue list on our web site or contact a member of our sales team.

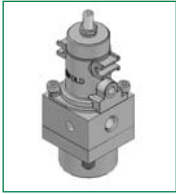
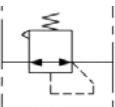
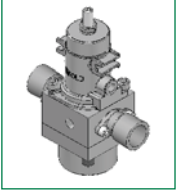
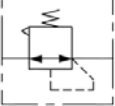
When selecting a product, the applicable operating system design must be considered to ensure safe use. The products function, material compatibility, adequate ratings, correct installation, operation and maintenance are the responsibilities of the system designer and user.

**Quality Assurance**  
All Bifold products are manufactured to a most stringent QA programme to ensure that every product will give optimum performance and reliability. We are third party certified to BS EN ISO 9001:2008. Functional test certificate, letter of conformity and copies of original mill certificates, providing total traceability are available on request, to BS EN 10204 3.1 where available. We reserve the right to make changes to the specifications and design etc., without prior notice.

Preferred Range

SH - AIR PREPARATION UNIT - PREFERRED RANGE				
Product	Schematic Representation	Page Number	Product Code	Product Description
 <p><b>SH</b> Air Preparation Unit Filter Manual Drain</p>		II	<b>SH06-FI-MD-X3</b>	1/4" NPT Ports, Filter, Manual Drain Unit.  C.v. 1.7, 145 psi / 10 bar, 20 - 30 Micron Filter Element.
 <p><b>SH</b> Air Preparation Unit Filter Manual Drain</p>		II	<b>SH12-FI-MD-X3</b>	1/2" NPT Ports, Self Relieving, Manual Drain Unit.  C.v. 2.6, 145 psi / 10 bar, 20 - 30 Micron Filter Element.

Preferred Range

SH - AIR PREPARATION UNIT - PREFERRED RANGE				
Product	Schematic Representation	Page Number	Product Code	Product Description
 <p><b>SH</b> Air Preparation Unit Regulator Self Relieving</p>		II	<b>SH06-RI-SR-10</b>	1/4" NPT Ports, Regulator, Self Relieving Unit.  C.v. 1.7, 145 psi / 10 bar.
 <p><b>SH</b> Air Preparation Unit Regulator Self Relieving</p>		II	<b>SH12-RI-SR-10</b>	1/2" NPT Ports, Regulator, Self Relieving Unit.  C.v. 2.6, 145 psi / 10 bar.

## SC Overview

### Materials of Construction

Body:	316L stainless steel as standard.
Bonnet & Bowl:	316L stainless steel as standard.
Element:	Sintered 316L stainless steel.
Springs:	302S26 stainless steel to BS 2056 (or Inconel).
Regulating spring:	316L stainless steel.
Ports:	1/4" thread milled NPT (BSPP options available).
Seals:	Viton as standard. Alternative elastomers available for extreme conditions.
Diaphragm:	Silicone.
Fasteners:	18/10 stainless steel.
Adjustment Mechanism:	M8 socket set screw.

### Flow Performance

145 psi / 10 bar inlet pressure, 87 psi / 6 bar secondary pressure with 14 psi / 1 bar pressure drop using X4 (40 - 50 micron element).

- 1/4" - C<sub>v</sub> 0.7 - 25.9 SCFM.
- 3/8" - C<sub>v</sub> 0.75 - 27.8 SCFM.
- 1/2" - C<sub>v</sub> 0.75 - 27.8 SCFM.

### Operating Media

- Air.
- Natural Gas
- Inert Gas.
- Sweet or Sour Gases.

### Relief Port

- Threaded 1/8" NPT vent with removable plastic ingress protection.
- For gas service, plastic ingress protection can be removed to enable vented gas to be piped away.
- Typical bleed flow at 29 psi / 2 bar secondary pressure 1.5cm<sup>3</sup>/sec.
- Relief differential 2 psi / 0.15 bar at 29 psi / 2 bar secondary pressure (relieving type only).

### Ports

Service ports: 1/4" NPT (BSPP options available).

### Certification

Equipment Intended for use in Potentially Explosive Environments - Non-Electrical Equipment



Bifold SC units must be installed, operated and maintained in accordance with the relevant Bifold installation, operating and maintenance instructions, relevant installation rules, regulations and codes of practice.

For more information, please contact Bifold sales department.

### Temperature Rating

<b>V</b>	Viton (Standard) (-20°C to +180°C).
<b>AL</b>	Fluorosilicone (-60°C to +100°C).

### Bowl Retention Capacity

25cc (Manual Drain).

### Maximum Inlet Pressure

290 - 580 psi / 20 - 40 bar (Manual Drain)

### Filter Unit

5, 20 - 30 & 40 - 50 Micron.

### Regulated Pressures

2.9 - 87 psi / 0.20 to 6 bar.  
5.8 - 145 psi / 0.40 to 10 bar.

### Water Ingress Rating

Ingress protection - Designed to meet heavy seas / on deck rating.

### Seal Repair Kits

Please add the prefix SRK on the models required leaving off port sizes (only require model number up to element reference).  
e.g. SRKSC-FR-SR-MD-10-X4.



## SH Overview

### Materials of Construction

Body:	316L stainless steel as standard.
Bonnet & Bowl:	316L stainless steel as standard.
Element:	Sintered 316L stainless steel.
Springs:	302S26 stainless steel to BS 2056 (or Inconel).
Regulating spring:	Inconel X750 AMS5699.
Ports:	1/4", 3/8", 1/2", 3/4" & 1" thread milled NPT (BSPP other options available)
Seals:	Viton as standard. Alternative elastomers available for extreme conditions.
Diaphragm:	Silicone.
Fasteners:	18/10 stainless steel.
Adjustment Mechanism:	M8 socket set screw.
Mounting mechanism:	Panel, pillar or bracket.

### Flow Performance

145 psi / 10 bar inlet pressure, 87 psi / 6 bar secondary pressure with 14 psi / 1 bar pressure drop using X4 (40 - 50 micron element).

1/4" - Cv 1.0 - 36 SCFM.

1/2" - Cv 2.6 - 94 SCFM.

1/2" - Cv 4.5 - 168 SCFM (High Flow).

1" - Cv 4.5 - 429 SCFM (Low Flow).

1" - Cv 11.2 - 429 SCFM.

### Operating Media

- Air.
- Natural Gas.
- Inert Gas.
- Sweet or Sour Gases.

### Relief Port

- Threaded 1/8" NPT vent with removable plastic ingress protection.
- For gas service, plastic ingress protection can be removed to enable vented gas to be piped away.
- Typical bleed flow at 29 psi / 2 bar secondary pressure 1.5cm<sup>3</sup>/sec.
- Relief differential 2 psi / 0.15 bar at 29 psi / 2 bar secondary pressure (relieving type only).

### Ports

Service ports: 1/4", 3/8", 1/2", 3/4" & 1" NPT (BSPP options available).  
Gauge ports: 1/8" NPT standard (1/4" NPT & BSPP options available).

### Gauges

Dry: 50mm with psi, bar or dual psi / bar dial.  
Glycerine Filled: 50mm with psi, bar or dual psi / bar dial polycarbonate window and blow-out device.  
Other options available please see page 17.

### Certification

Equipment Intended for use in Potentially Explosive Environments - Non-Electrical Equipment



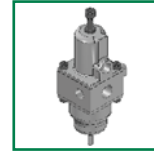
Bifold SH units must be installed, operated and maintained in accordance with the relevant Bifold installation, operating and maintenance instructions, relevant installation rules, regulations and codes of practice.

For more information, please contact Bifold sales department.

# SC - Compact Air Preparation Unit Range Selection Chart

**SC**

For a dimensional drawing of the SC unit, please see page 12.



**Bifold**®

## SC Selection Chart - Ordering Example

<b>SC</b>	Standard Service	Model Code	
<b>06</b>	1/4" NPT (Stainless Steel)	Ports	
<b>09</b>	3/8" NPT (Stainless Steel)		
<b>12</b>	1/2" NPT (Stainless Steel)		
<b>20</b>	290 psi / 20 bar	Inlet Pressure	
<b>FR</b>	Filter Regulator	Model Type	
<b>RI</b>	Regulator		
<b>SR</b>	Self Relieving	Self / Non Relieving	
<b>NR</b>	Non Relieving		
<b>MD</b>	Manual Drain (Not Applicable to Regulators)	Drain Option	
		Output Regulated Pressures	
	<b>Nominal</b>		<b>Actual</b>
<b>06</b>	87 psi / 6 bar		2.9 - 87 psi / 0.20 to 6 bar
<b>10</b>	145 psi / 10 bar	5.8 - 145 psi / 0.40 to 10 bar	
<b>V</b>	Viton (Standard) (-20°C to +180°C)	O-Ring Material	
<b>AL</b>	Fluorosilicone (-60°C to +100°C)		
<b>X1</b>	5 Micron Element	Filter Element	
<b>X3</b>	20 - 30 Micron Element		
<b>X4</b>	40 - 50 Micron Element		
<b>NO LETTER</b>	NPT Ports	Option	
<b>K6</b>	BSPB Ports		
<b>NO LETTER</b>	Allen Key Adjustment	Option	
<b>K10</b>	Black Plastic Button Adjustment		
<b>NO LETTER</b>	Regular Drain Screw	Option	
<b>L116</b>	Knurled Drain Screw		

**SC 06 - 20 - FR - SR - MD - 10 - V - X4 - K6 - K10 - L116**

Ordering Example

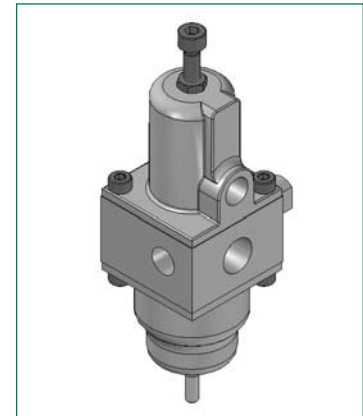
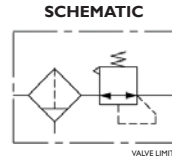
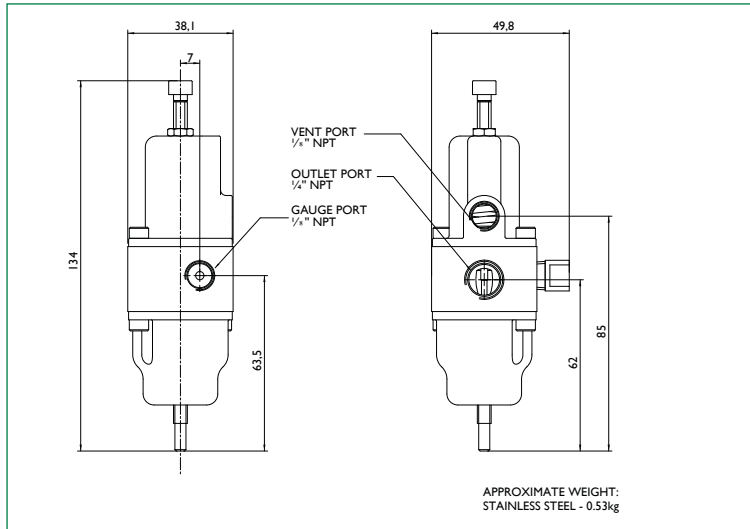
Bespoke configured datasheets are available for specific model numbers, please contact Bifold for more information.



Dimensional Drawings

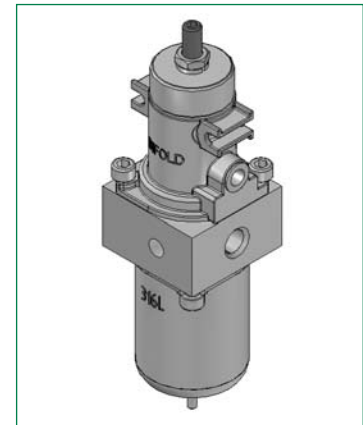
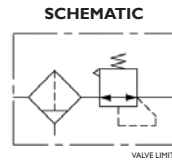
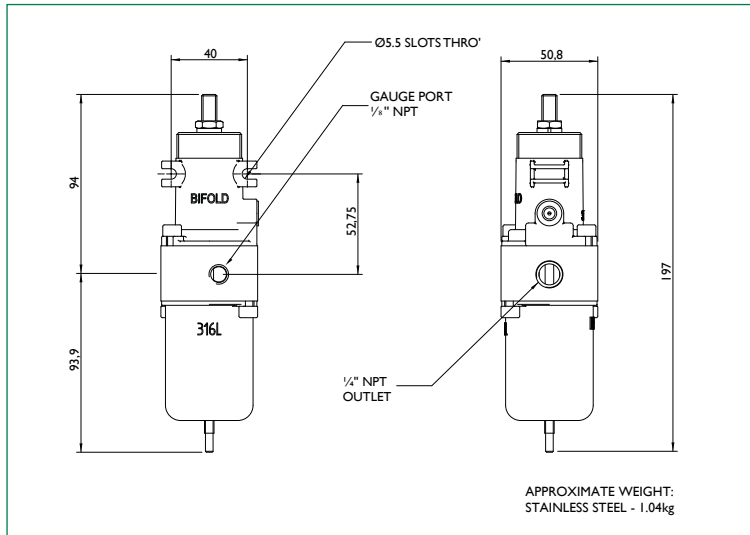


Example Code - SC06-20-FR-SR-MD-10-X4



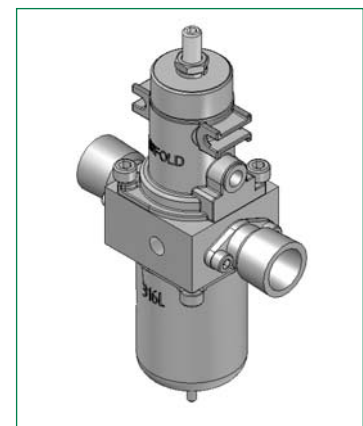
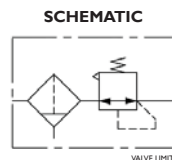
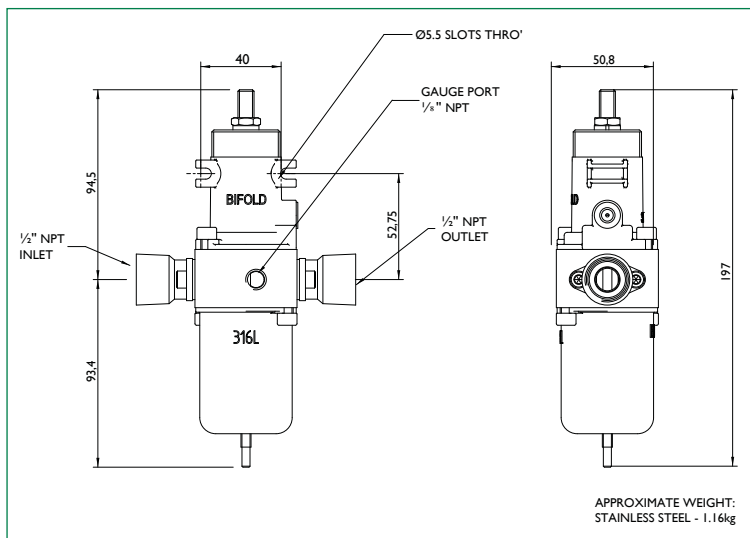
**SC**  
Compact Air Preparation Unit  
Manual Drain

Example Code - SH06-FR-SR-MD-10-X3



**SH**  
Air Preparation Unit  
Manual Drain

Example Code - SH12-FR-SR-MD-10-X3



**SH**  
Air Preparation Unit  
Manual Drain

All dimensions in mm

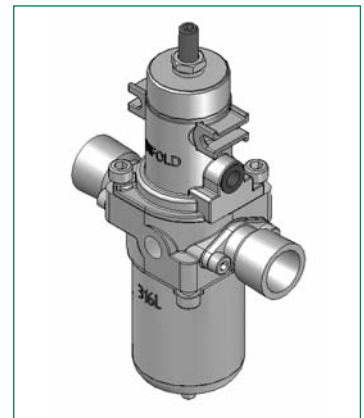
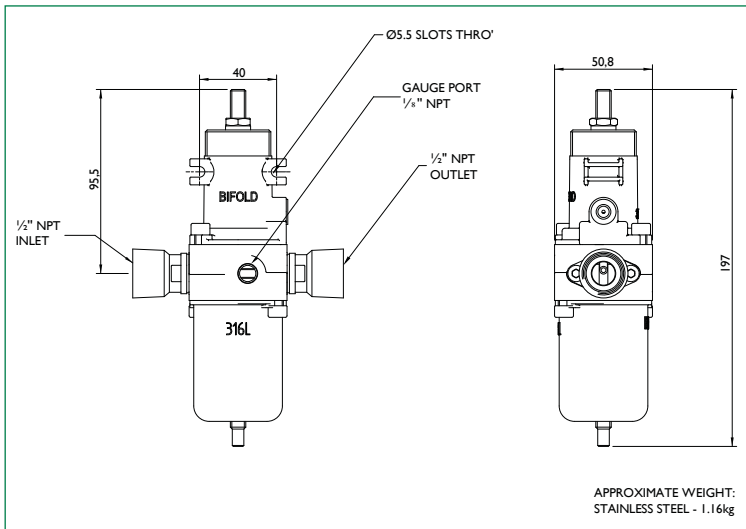
**Accuracy of information**  
We take care to ensure that product information in this catalogue is reasonably accurate and up-to-date. However, our products are continually developed and updated so to ensure accurate and up-to-date information please refer to the product catalogue issue list on our web site or contact a member of our sales team.

When selecting a product, the applicable operating system design must be considered to ensure safe use. The products function, material compatibility, adequate ratings, correct installation, operation and maintenance are the responsibilities of the system designer and user.

**Quality Assurance**  
All Bifold products are manufactured to a most stringent QA programme to ensure that every product will give optimum performance and reliability. We are third party certified to BS EN ISO 9001:2008. Functional test certificate, letter of conformity and copies of original mill certificates, providing total traceability are available on request, to BS EN 10204 3.1 where available. We reserve the right to make changes to the specifications and design etc., without prior notice.

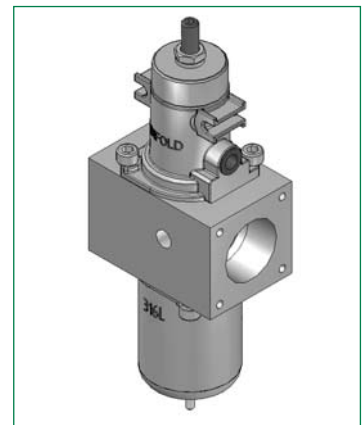
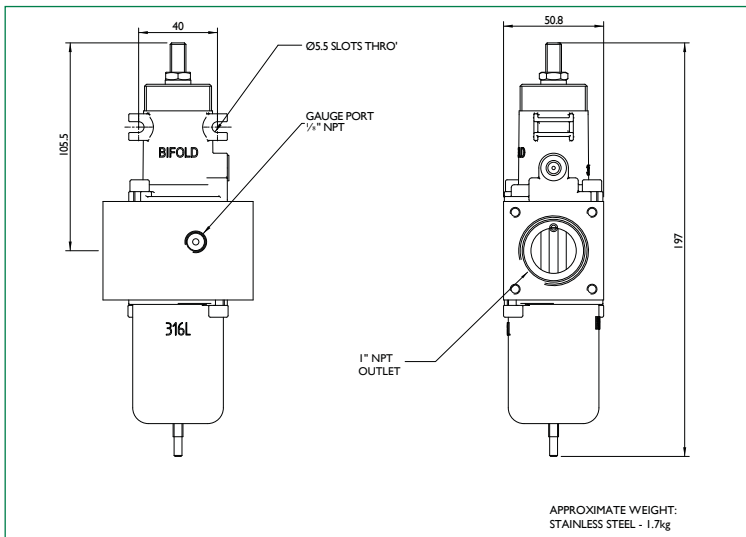
Dimensional Drawings

Example Code - SH12-FR-SR-MD-10-X3-02



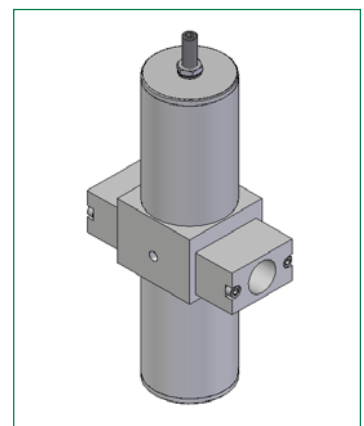
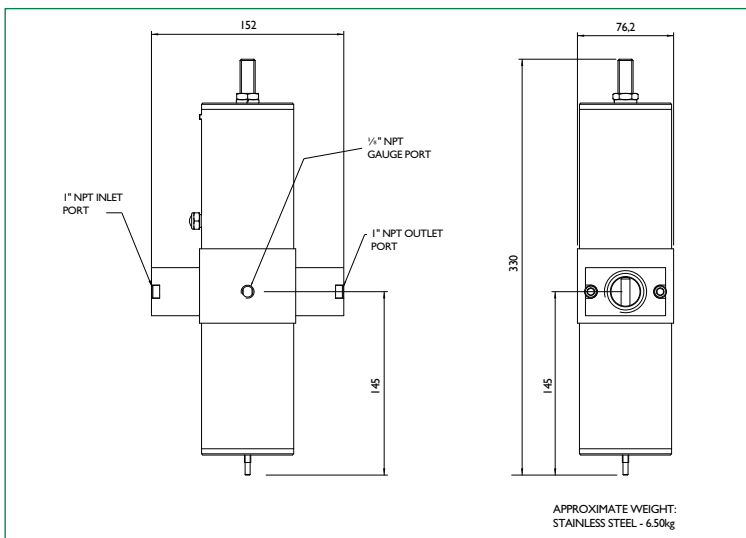
**SH**  
Air Preparation Unit  
Manual Drain

Example Code - SH25L-FR-SR-MD-10-X3-02



**SH**  
Air Preparation Unit  
Manual Drain

Example Code - SH25-FR-SR-MD-10-X4-02



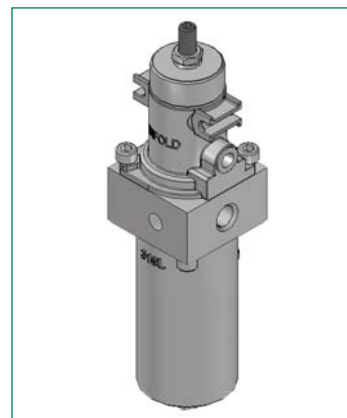
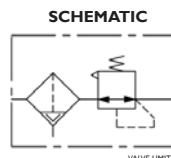
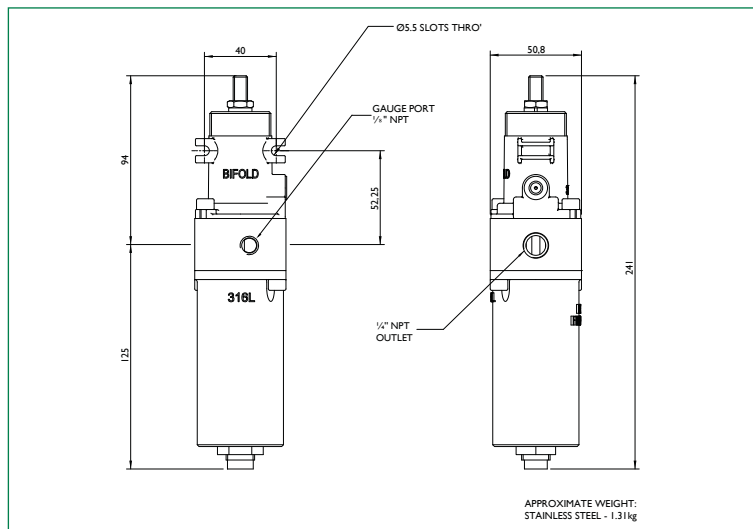
**SH**  
Air Preparation Unit  
Manual Drain

All dimensions in mm

## Dimensional Drawings

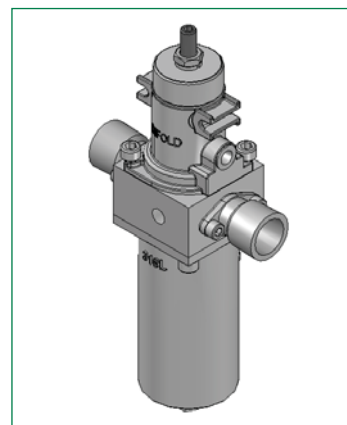
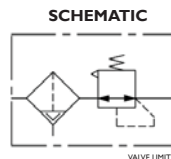
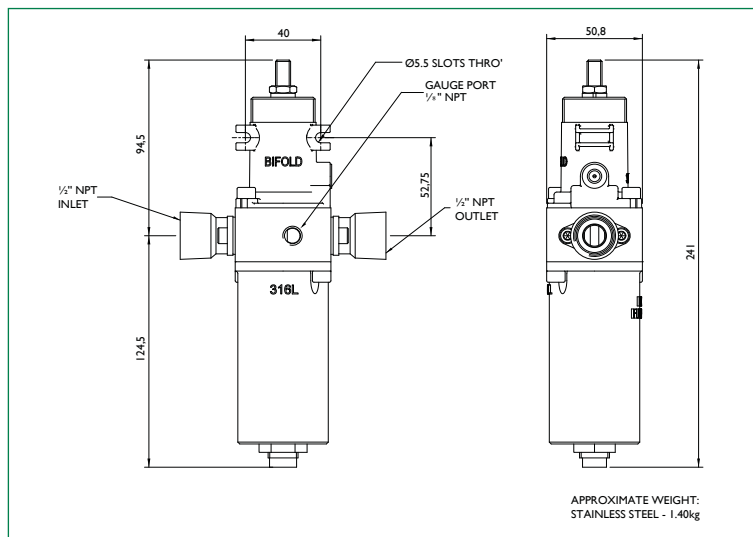


### Example Code - SH06-FR-SR-AD-10-X3



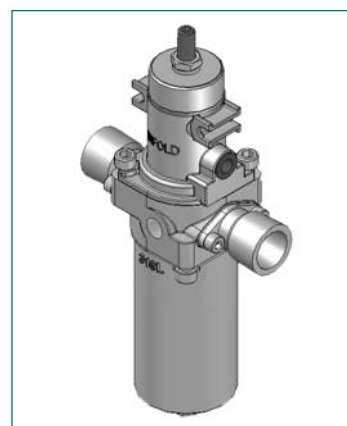
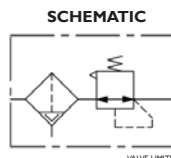
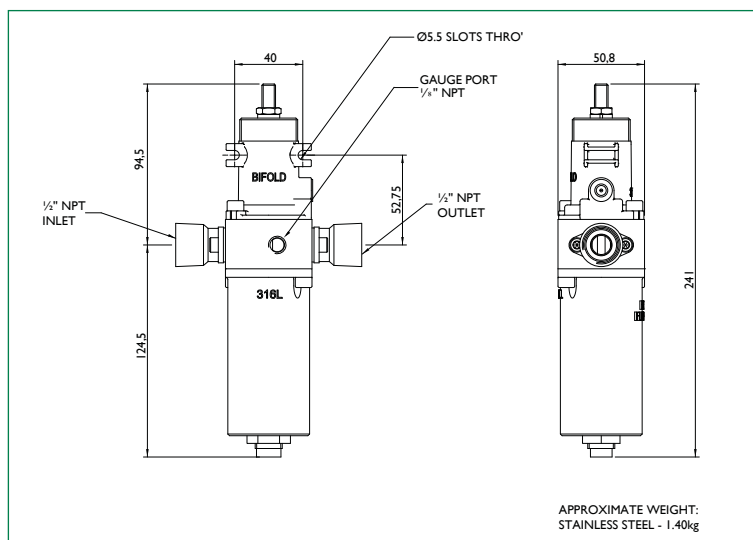
**SH**  
Air Preparation Unit  
Auto Drain

### Example Code - SH12-FR-SR-AD-10-X3



**SH**  
Air Preparation Unit  
Auto Drain

### Example Code - SH12-FR-SR-AD-10-X3-02



**SH**  
Air Preparation Unit  
Auto Drain

All dimensions in mm

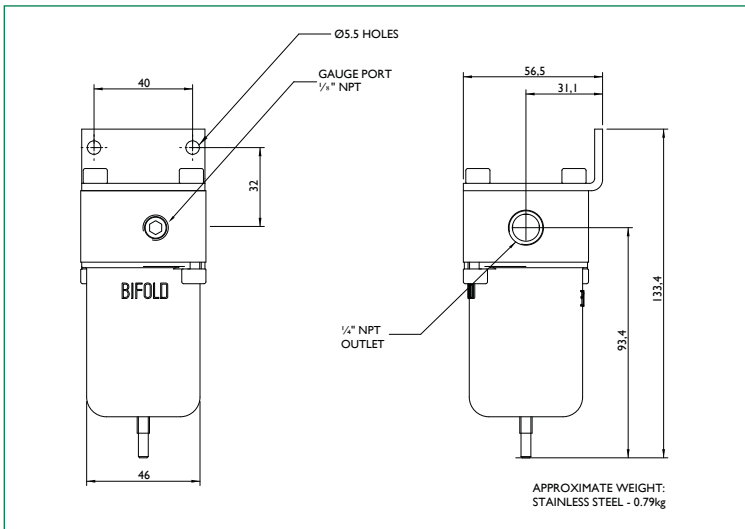
**Accuracy of information**  
We take care to ensure that product information in this catalogue is reasonably accurate and up-to-date. However, our products are continually developed and updated so to ensure accurate and up-to-date information please refer to the product catalogue issue list on our web site or contact a member of our sales team.

When selecting a product, the applicable operating system design must be considered to ensure safe use. The products function, material compatibility, adequate ratings, correct installation, operation and maintenance are the responsibilities of the system designer and user.

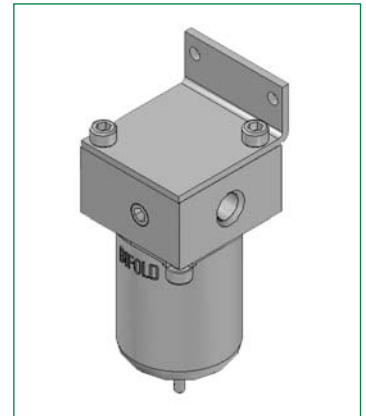
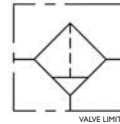
**Quality Assurance**  
All Bifold products are manufactured to a most stringent QA programme to ensure that every product will give optimum performance and reliability. We are third party certified to BS EN ISO 9001:2008. Functional test certificate, letter of conformity and copies of original mill certificates, providing total traceability are available on request, to BS EN 10204 3.1 where available. We reserve the right to make changes to the specifications and design etc, without prior notice.

Dimensional Drawings

Example Code - SH06-FI-MD-X3

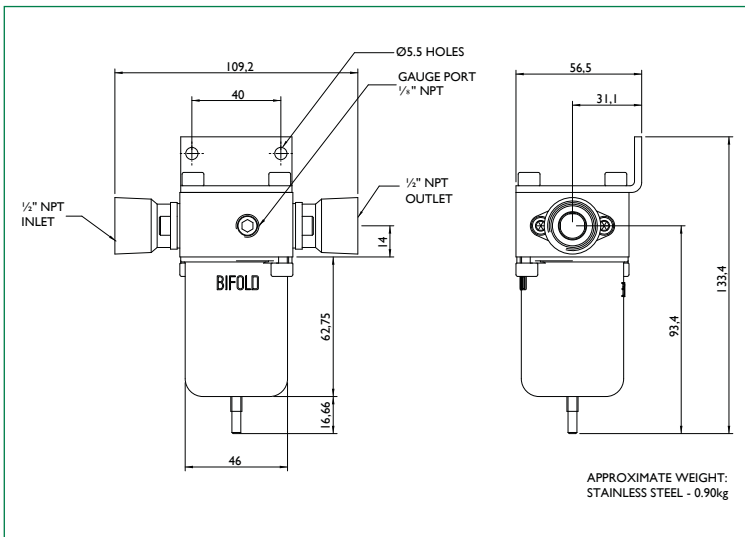


SCHEMATIC

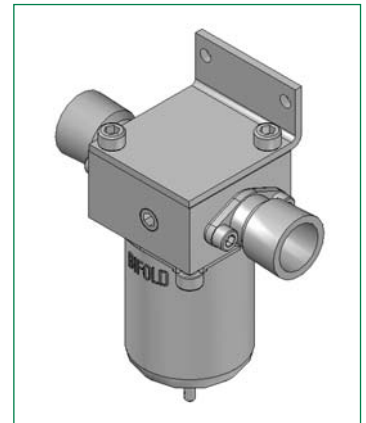
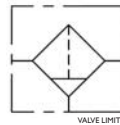


**SH**  
Air Preparation Unit  
Filter Manual Drain

Example Code - SH12-FI-MD-X3

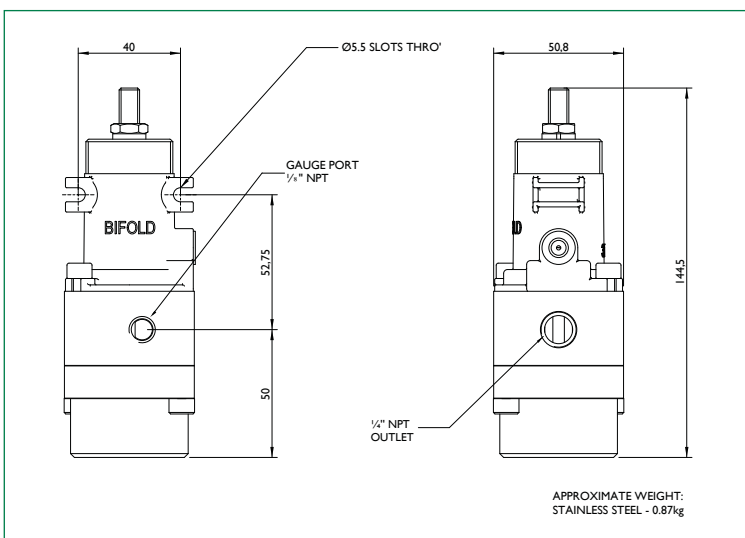


SCHEMATIC

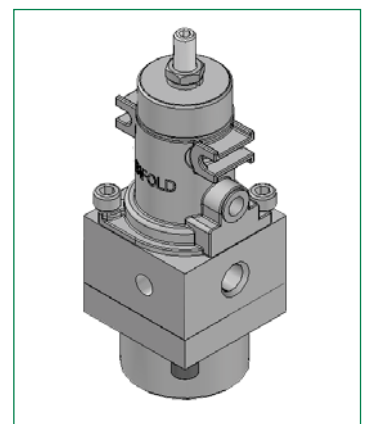
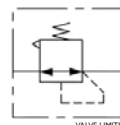


**SH**  
Air Preparation Unit  
Filter Manual Drain

Example Code - SH06-RI-SR-10



SCHEMATIC

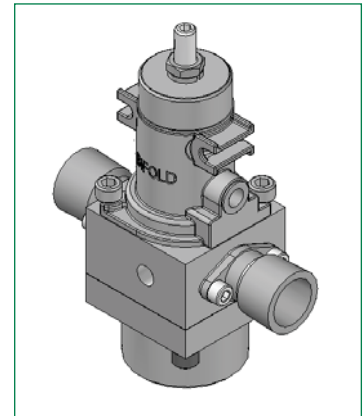
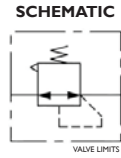
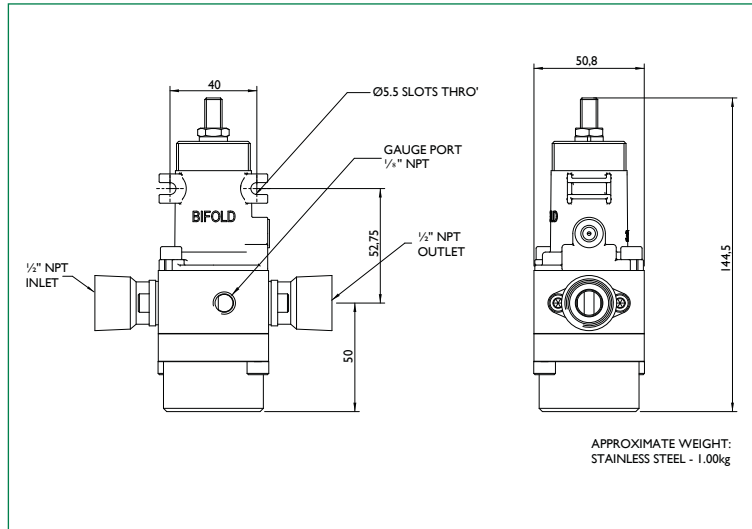


**SH**  
Air Preparation Unit  
Regulator Manual Drain

All dimensions in mm

## Dimensional Drawings

Example Code - SH12-RI-SR-10



**SH**  
Air Preparation Unit  
Regulator Manual Drain

**Accuracy of information**  
We take care to ensure that product information in this catalogue is reasonably accurate and up-to-date. However, our products are continually developed and updated so to ensure accurate and up-to-date information please refer to the product catalogue issue list on our web site or contact a member of our sales team.

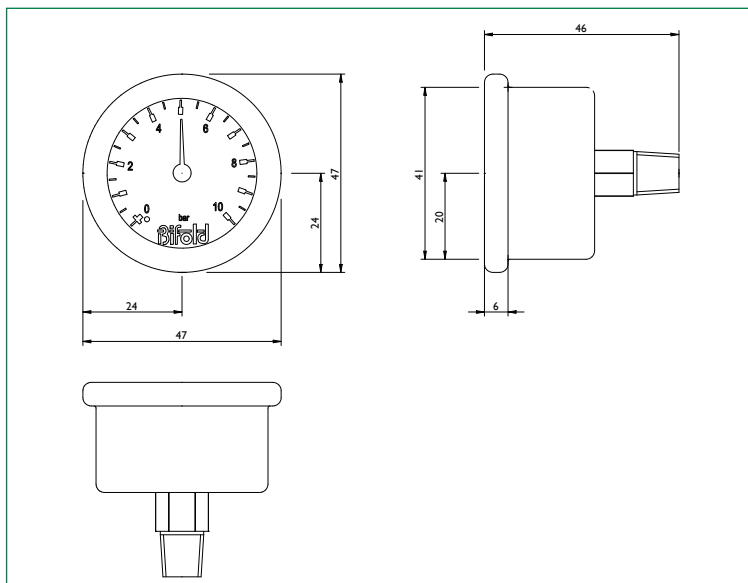
When selecting a product, the applicable operating system design must be considered to ensure safe use. The products function, material compatibility, adequate ratings, correct installation, operation and maintenance are the responsibilities of the system designer and user.

**Quality Assurance**  
All Bifold products are manufactured to a most stringent QA programme to ensure that every product will give optimum performance and reliability. We are third party certified to BS EN ISO 9001:2008. Functional test certificate, letter of conformity and copies of original mill certificates, providing total traceability are available on request, to BS EN 10204 3.1 where available. We reserve the right to make changes to the specifications and design etc., without prior notice.



## Gauge Options

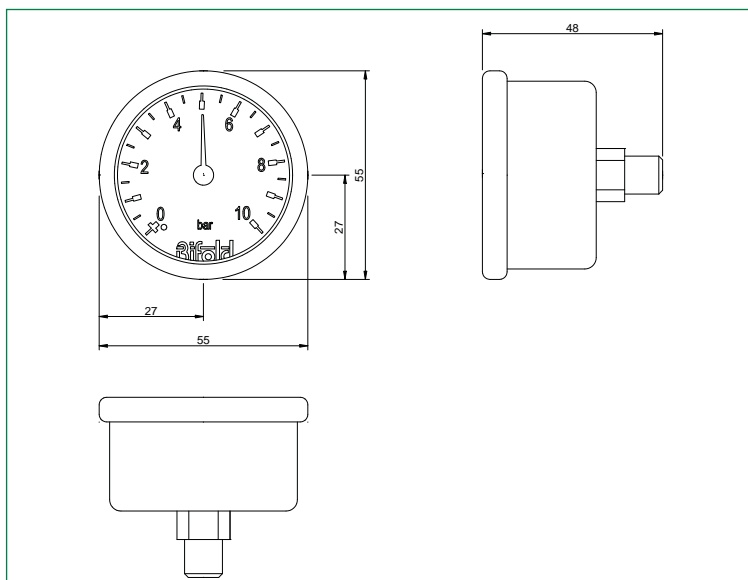
### SC - Compact Air Preparation Unit



- X10** 10 bar - 40mm Gauge.
- X11** 10 bar - 40mm Glycerine Filled Gauge.
- X10PB** 145 psi / 10 bar - 40mm Dual Gauge.
- X11PB** 145 psi / 10 bar - 40mm Dual Glycerine Filled Gauge.

(316L stainless steel case as standard).

### SH - Air Preparation Unit

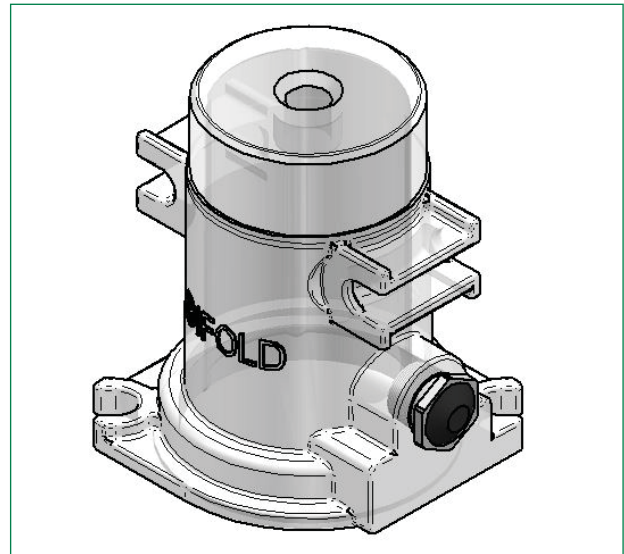
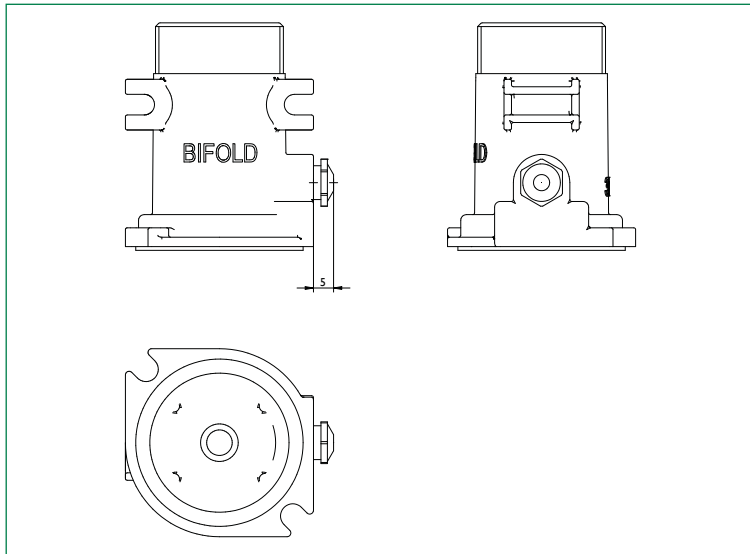


- X5** 10 bar - 50mm Gauge.
  - X8** 10 bar - 50mm Glycerine Filled Gauge.
  - X5PB** 145 psi / 10 bar - 50mm Gauge.
  - X8PB** 145 psi / 10 bar - 50mm Glycerine Filled Gauge.
- Other scale plates available.

(316L stainless steel case as standard).

Additional Options

SC - Compact Air Preparation Unit & SH - Air Preparation Unit



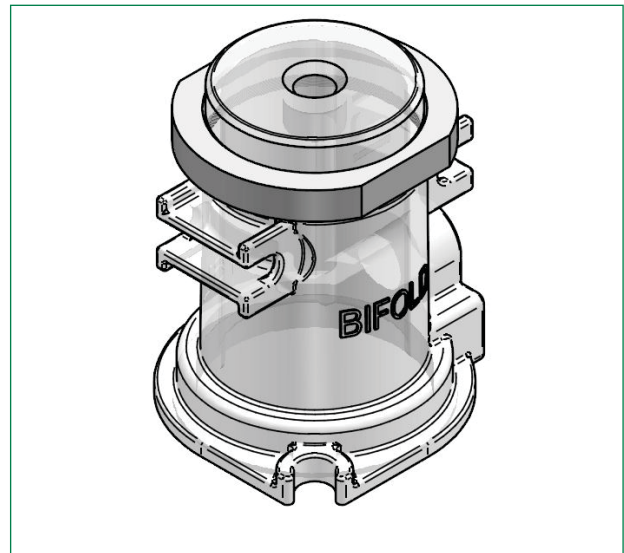
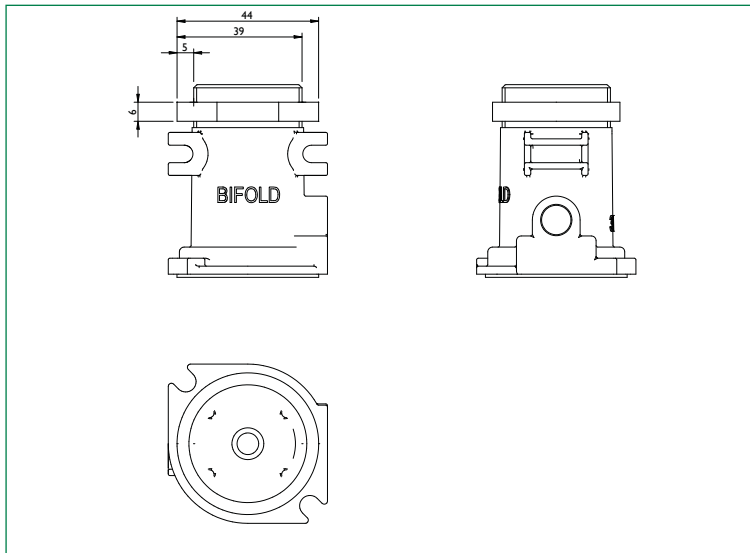
**Bug Vent**

**L15** Viton / 316L Stainless Steel Bug Vent.

(Not Applicable to SH Filters)

Mounting Options

SH - Air Preparation Unit



**Mounting Option**

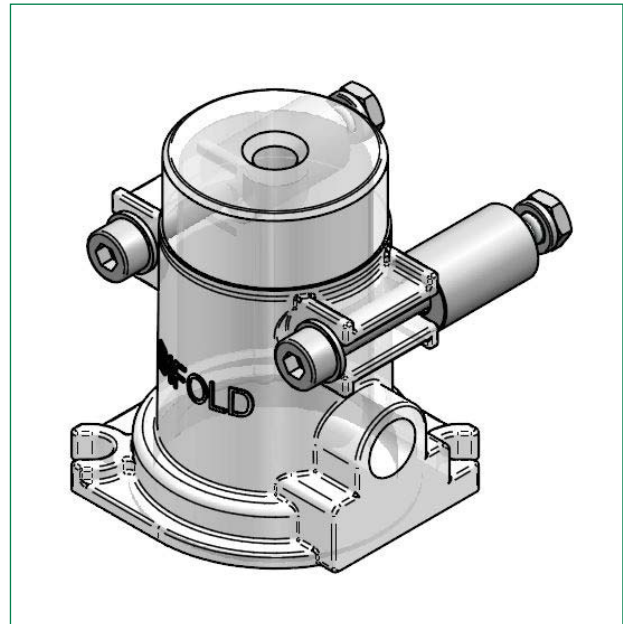
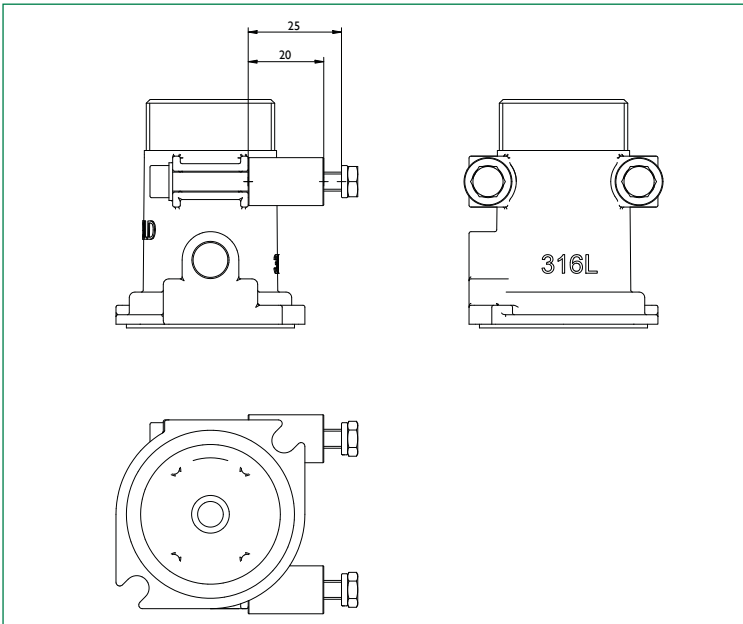
(Not Applicable to Filters)

**L8** Panel Mount Kit

(Not Applicable to SH19 and SH25)

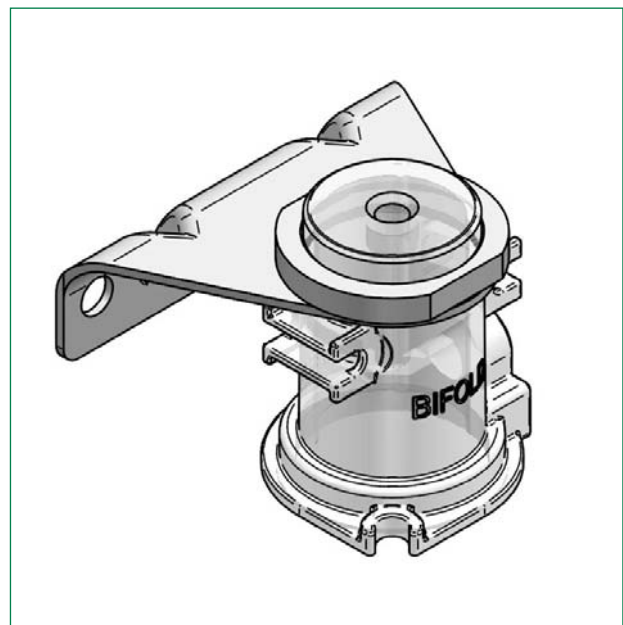
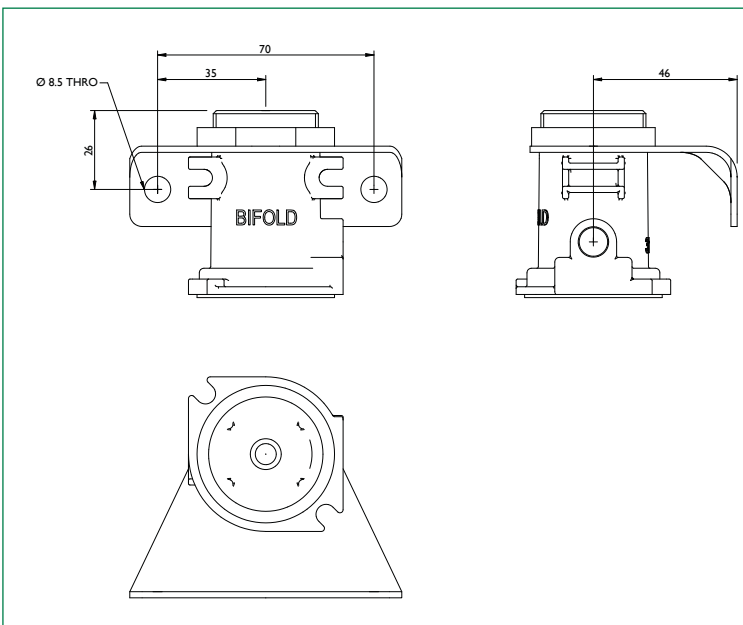
**Mounting Options**

**SH - Air Preparation Unit**



**Mounting Option**  
 (Not Applicable to Filters)  
**L9** Pillar Mount Kit

(Not Applicable to SH19 and SH25)



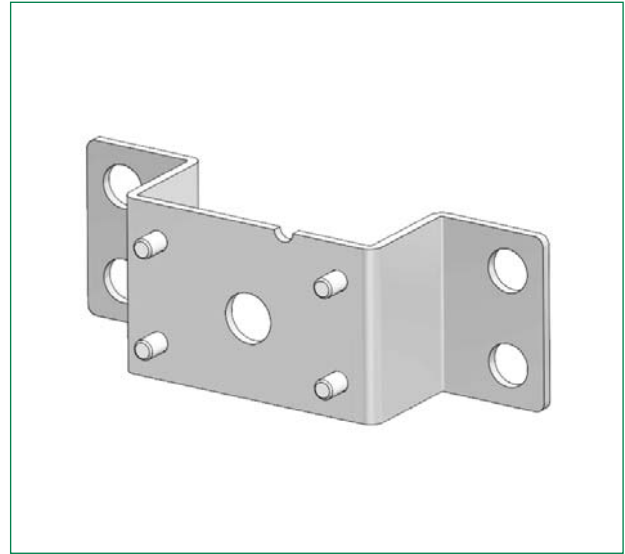
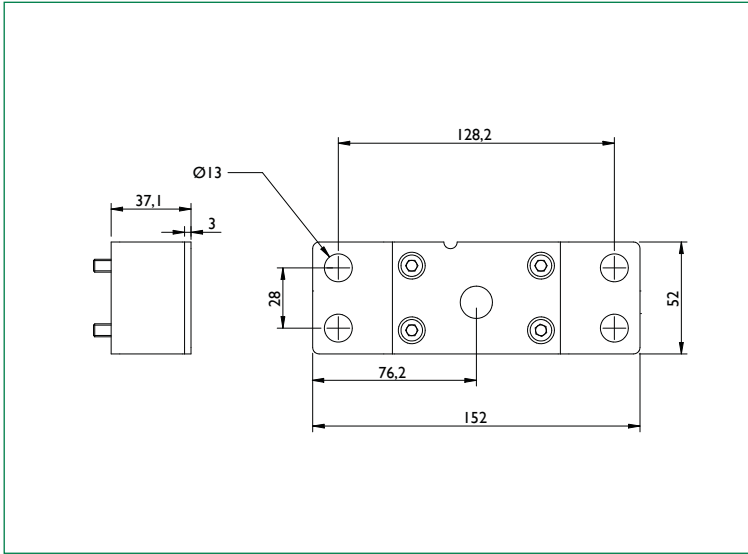
**Mounting Option**  
 (Not Applicable to Filters)  
**L46** Panel Mount and Bracket

(Not Applicable to SH19 and SH25)

Mounting Options



SH - Air Preparation Unit



Bug Vent  
L160 Bracket

(Only Applicable to SH19 and SH25)



**Accuracy of information**  
We take care to ensure that product information in this catalogue is reasonably accurate and up-to-date. However, our products are continually developed and updated so to ensure accurate and up-to-date information please refer to the product catalogue issue list on our web site or contact a member of our sales team.

When selecting a product, the applicable operating system design must be considered to ensure safe use. The products function, material compatibility, adequate ratings, correct installation, operation and maintenance are the responsibilities of the system designer and user.

**Quality Assurance**  
All Bifold products are manufactured to a most stringent QA programme to ensure that every product will give optimum performance and reliability. We are third party certified to BS EN ISO 9001:2008. Functional test certificates, letter of conformity and copies of original mill certificates, providing total traceability are available on request, to BS EN 10204 3.1 where available. We reserve the right to make changes to the specifications and design etc., without prior notice.

**Pneumatic and  
Instrumentation Valves**  
**Hydraulic Valves**  
**Subsea Valves**  
**Hydraulic Pumps,  
Intensifiers and Valves**  
**Actuator Electronic  
Control and Positioning**



#### Accuracy of Information

We take care to ensure that product information in this catalogue is reasonably accurate and up-to-date. However, our products are continually developed and updated so to ensure accurate and up-to-date information please refer to the product catalogue issue list on our web site or contact a member of our sales team.

#### Quality Assurance

All Bifold products are manufactured to a most stringent QA programme. Every care is taken at all stages of manufacture to ensure that every product will give optimum performance and reliability. We are third party certified to BS EN ISO 9001:2008. Functional test certificates, letter of conformity and copies of original mill certificates, providing total traceability are available on request to BS EN 10204 3.1 where available. We reserve the right to make changes to the specifications and design etc., without prior notice.

When selecting a product, the applicable operating system design must be considered to ensure safe use. The products function, material compatibility, adequate ratings, correct installation, operation, and maintenance are the responsibilities of the system designer and user.

Bifold, Bifold Fluidpower, Bifold Subsea, Marshalsea Hydraulics and Bifold Orange are all members of the Bifold Group.

Registered No. 1787729 in England.  
Registered Office:  
Rotork House,  
Brassmill Lane,  
Bath, BA1 3JQ.

Bifold Fluidpower Ltd  
Bifold Group  
Broadgate, Oldham Broadway  
Business Park, Chadderton,  
Greater Manchester, OL9 9XA. UK.

Tel: +44 (0) 161 345 4777  
Email: [marketing@bifold.co.uk](mailto:marketing@bifold.co.uk)  
Web: [bifold.co.uk](http://bifold.co.uk)

Bifold Orange  
Unit 7, Cosford Business Park  
Central Park, Lutterworth  
Leicestershire  
LE17 4QU, UK.

Tel: +44 (0) 161 345 4777  
Email: [marketing@bifold.co.uk](mailto:marketing@bifold.co.uk)  
Web: [bifold.co.uk](http://bifold.co.uk)

Marshalsea Hydraulics Limited  
Marshalsea House, Venture Way  
Priorswood Industrial Estate  
Taunton, Somerset,  
TA2 8DE. UK.  
Tel: +44 (0) 1823 331081  
Fax: +44 (0) 1823 323382  
Email: [info@marshalsea.co.uk](mailto:info@marshalsea.co.uk)  
Web: [bifold.co.uk](http://bifold.co.uk)

USA Office  
Bifold Fluidpower Ltd  
11490 Westheimer,  
Suite 850,  
Houston, TX, 77077.  
Tel: +1 (713) 304 4012  
Fax: +1 (713) 783 0067  
Email: [marketing@bifold.co.uk](mailto:marketing@bifold.co.uk)  
Web: [bifold.co.uk](http://bifold.co.uk)

Singapore Office

Please see the Bifold website, contact us page for the full address.

Mobile: +65 98245580  
Email: [marketing@bifold.co.uk](mailto:marketing@bifold.co.uk)  
Web: [bifold.co.uk](http://bifold.co.uk)

**Innovative and Reliable  
Valve Solutions**



**[bifold.co.uk](http://bifold.co.uk)**